

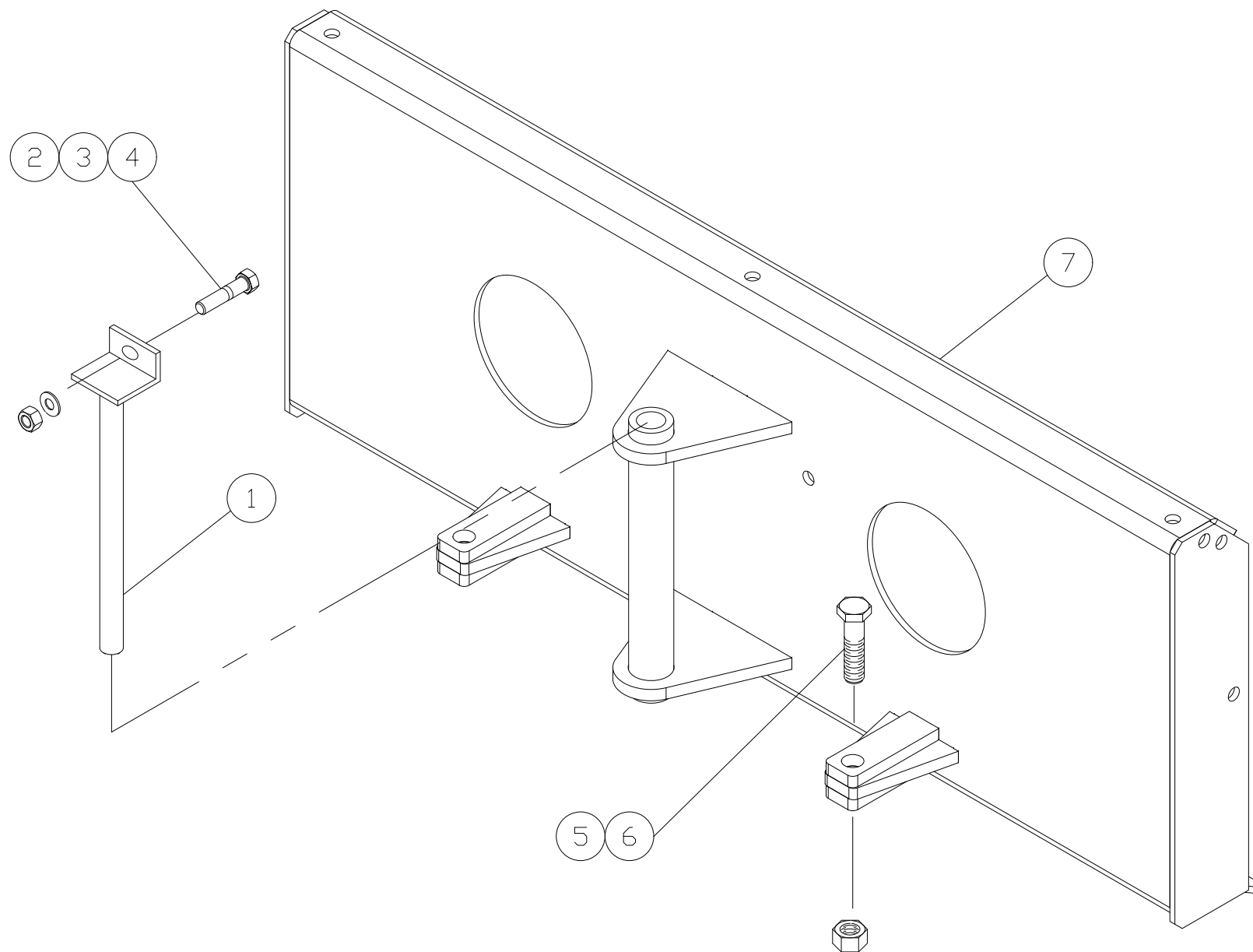
Table of Contents

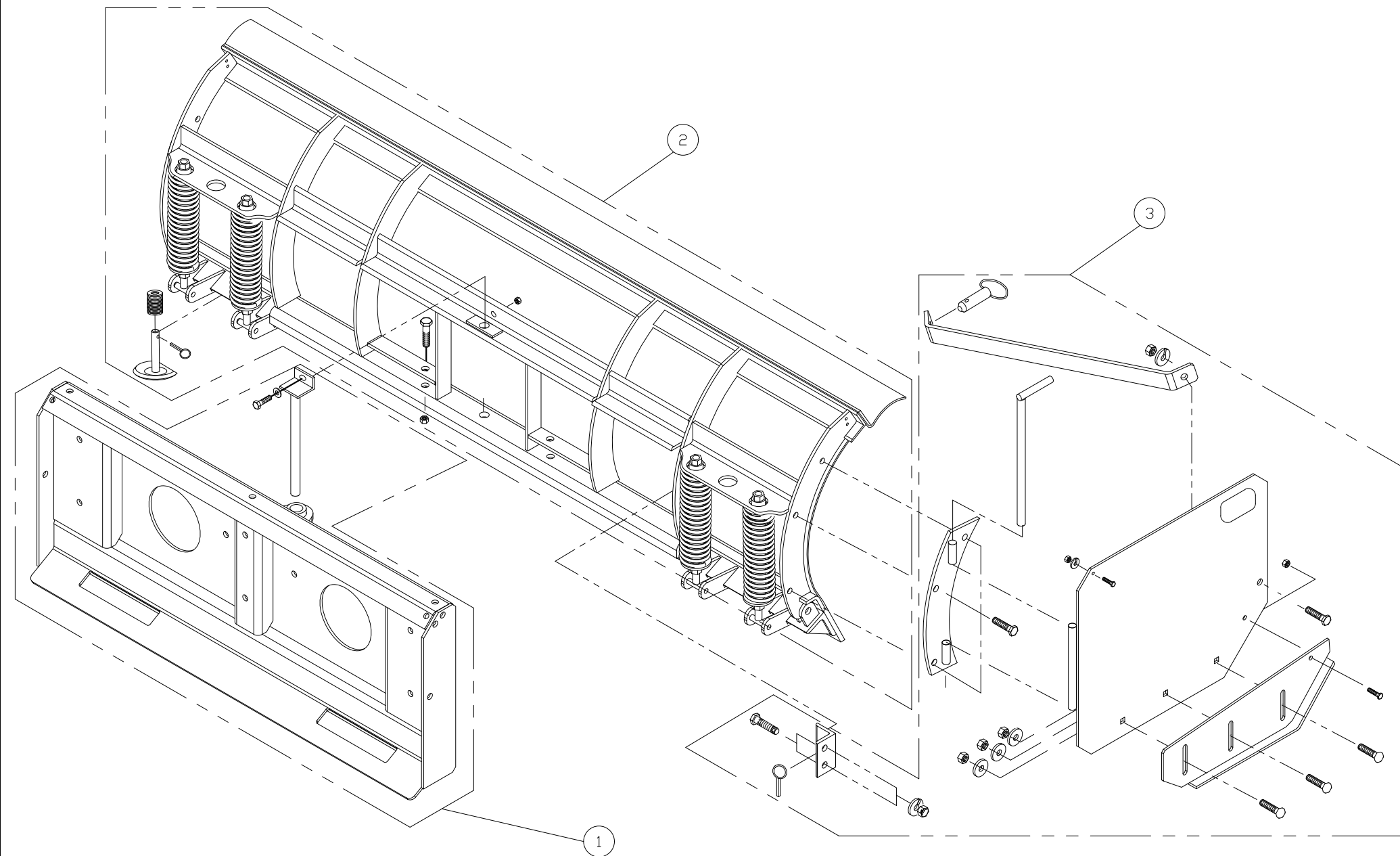
Skid Steer Box Pusher BP90, BP96, BP108.....2

Heavy Duty Trip Edge Blade (90", 96", 108").....6

Trip Edge WING and Shoe Assembly.....11

Arctic Heavy Duty Skid Steer Box Pusher  
(For trip edge blade only)  
BP90, BP96, BP108





<b>Box Pusher Universal Skid Steer Plate Assembly 53881-M</b>			
<b>Item</b>	<b>Part #</b>	<b>Description</b>	<b>Qty</b>
1	52488-B	Pivot Shaft Trip Edge	1
2	HH-00540-004	½-20 UNF Nylon Insert	1
3	HH-00341-006	½" Flat Washer	1
4	HH-00972-090	½"-20 x 1 ½" HHCS	1
5	HH-00972-153	¾" x 3 ½" HHCS	2
6	HH-00973-007	¾" Thin Nylon Insert Locknut	2
7	53883-D	Skid Steer Plate	1

<b>Heavy Duty Box Pusher BP90, BP96, BP108</b>			
<b>Item</b>	<b>Part #</b>	<b>Description</b>	<b>Qty</b>
Parts includes under BP90			
1	53881-M	Box Pusher Universal Skid Steer Plate	1
2	52482-M-GA	90" Trip Edge Poly Blade, Galvanized	1
3	52495-M	Trip Edge WING Assembly	1
Parts includes under BP96			
1	53881-M	Box Pusher Universal Skid Steer Plate	1
2	52483-M-GA	96" Trip Edge Poly Blade, Galvanized	1
3	52495-M	Trip Edge WING Assembly	1
Parts includes under BP108			
1	53881-M	Box Pusher Universal Skid Steer Plate	1
2	52485-M-GA	108" Trip Edge Poly Blade, Galvanized	1
3	52495-M	Trip Edge WING Assembly	1

# ARCTIC HDTE-P

Arctic Heavy Duty Trip Edge Blade 90", 96" & 108"

 Warning

Do not exceed GVWR or GAWR, including blade and ballast. The rating label is found on the driver side vehicle door corners.

Lower the blade when the vehicle is parked. Temperature changes could change hydraulic pressure, causing the blade to drop unexpectedly or damaging hydraulic components. Failure to do this can result in serious personal injury.

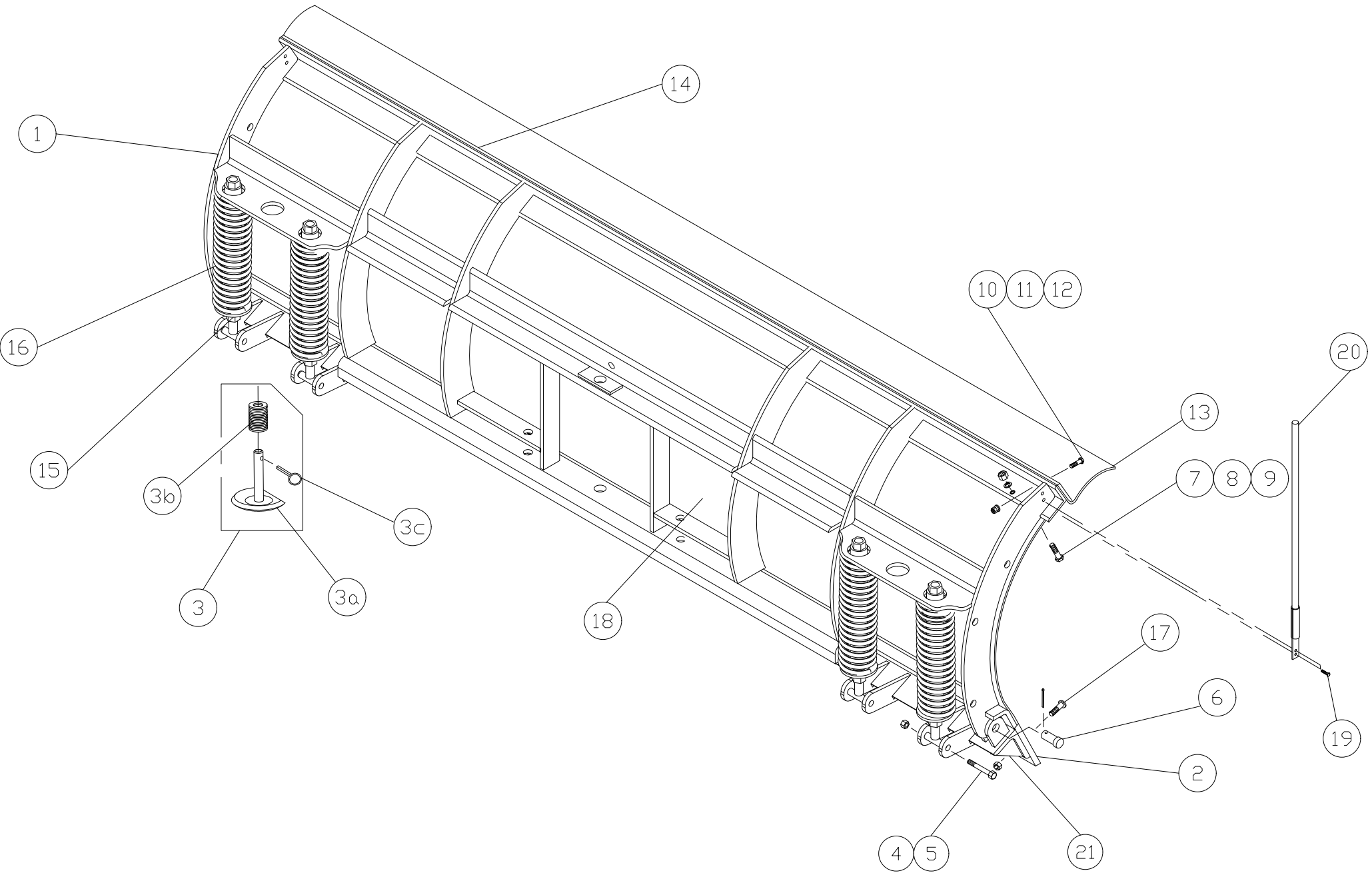
Servicing the trip springs without special tools and knowledge could result in personal injury. See Arctic authorized dealer for service.

Inspect snowplow components and bolts for wear and damage when mounting or removing snowplow and before traveling.

Keep hands and feet clear of the blade, A-frame and cylinders when mounting or removing the snowplow. Moving or falling assemblies could cause personal injury. Never use a finger to check an alignment. Moving or falling assemblies could crush your finger.

Do not stand between the vehicle and the blade or within 10' of a moving blade. A moving or falling blade could cause personal injury.

To prevent accidental movement of the blade, always turn the control OFF whenever the snowplow is not in use.





Heavy Duty Trip Edge Blade Assembly 90" (52482-M-GA), 96" (52483-M-GA) and 108" (52485-M-GA)			
Item	Description	Part Number	Quantity
1	52438-03-D-GA	90" Trip Edge Frame Galvanized	1
	52438-04-D-GA	96" Trip Edge Frame Galvanized	
	52438-06-D-GA	108" Trip Edge Frame Galvanized	
2	52233-M	Cutting Edge 90", Top Punch	1
	52234-M	Cutting Edge 96", Top Punch	
	52236-M	Cutting Edge 108", Top Punch	
	50035-N	Cutting Edge 90", Center Punch	
	50036-N	Cutting Edge 96", Center Punch	
	51161-C	Cutting Edge 108", Center Punch	
3	53322-M-GA	Trip Edge Shoe Assembly Galvanized	2
3a	53322-A-GA	Trip Edge Shoe Galvanized	1
3b	55017-N	1" Adjustment Washers	15
3c	50040-A	Quick Release Pin	1
4	HH-00540-004	½" Nylon Nut	4
5	HH-00972-100	½" x 4" Bolt	4
6	52442-M	3/4 x 2-1/8" Rivet c/w Cotter Pin	6
7	HH-00971-136	½" x 1-1/2" Carriage Bolt (for 90", 96")	8
	HH-00971-136	½" x 1-1/2" Carriage Bolt (for 108")	10
8	HH-00457-001	½" Lock Washer (for 90", 96")	8
	HH-00457-001	½" Lock Washer (for 108")	10
9	HH-00294-005	½" NC Nut (for 90", 96")	8
	HH-00294-005	½" NC Nut (for 108")	10
10	HH-00971-044	5/16" x 1-1/4" Carriage Bolt (for 90", 96")	8
	HH-00971-044	5/16" x 1-1/4" Carriage Bolt (for 108")	10
11	HH-00457-007	5/16" Lock Washer (for 90", 96")	8
	HH-00457-007	5/16" Lock Washer (for 108")	10
12	HH-00294-002	5/16" NC Nut (for 90", 96")	8
	HH-00294-002	5/16" NC Nut (for 108")	10
13	52245-CR	90" Curved Deflector	1
	52246-CR	96" Curved Deflector	
	52280-CR	108" Curved Deflector	
14	52239-M-GA	90" Strap Galvanized	1
	52240-M-GA	96" Strap Galvanized	
	52279-M-GA	108" Strap Galvanized	
15	52440-C	Spring Tube Assembly (does not include spring)	4
16	52441-M	Trip Edge Spring	4
17	52593-8-M	½" x 1-3/4" Carriage Bolt Assembly (for 90" & 96")	package of 8
	52593-10-M	½" x 1-3/4" Carriage Bolt Assembly (for 108")	package of 10

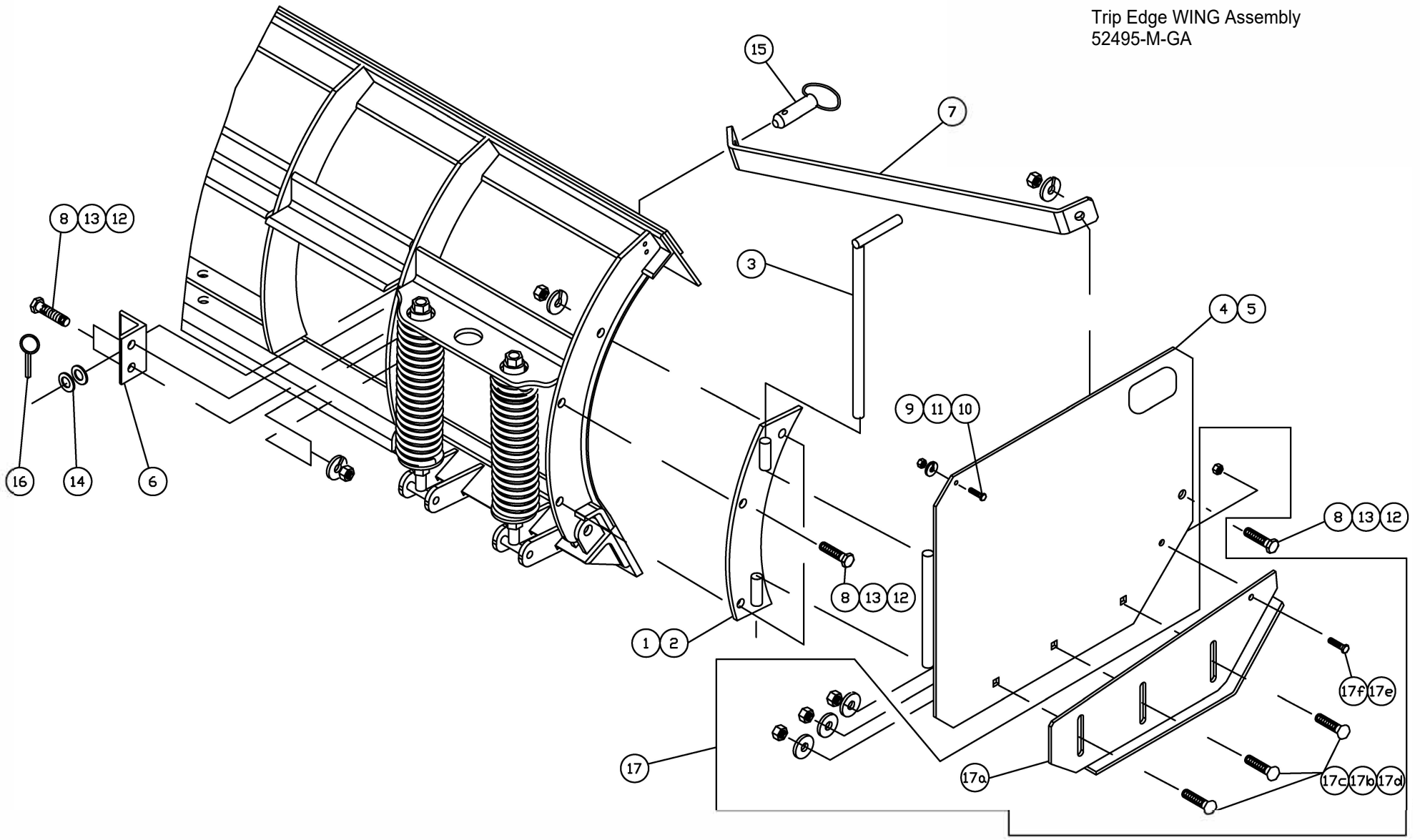
Heavy Duty Trip Edge Blade Assembly 90" (52482-M-GA), 96" (52483-M-GA) and 108" (52485-M-GA)			
Item	Description	Part Number	Quantity
18	52228-02-D	Blade Skin - 90" (orange)	1
	52228-02-D-PLAT	Blade Skin - 90" (gray)	
	52228-03-D	Blade Skin - 96" (orange)	
	52228-03-D-PLAT	Blade Skin - 96" (gray)	
	52277-D	Blade Skin - 108" (orange)	
	52277-D-PLAT	Blade Skin - 108" (gray)	
19	GB002	Guide Bolt Ass'y	4
20	50999-B	Blade Guide	2
21	52443-03-D-GA	Bottom Angle 90"	1
	52443-04-D-GA	Bottom Angle 96"	1
	52443-06-D-GA	Bottom Angle 108"	1

Arctic Equipment Manufacturing Corporation reserves the right under its product improvement policy to change construction or design details and furnish equipment when so altered without reference to illustrations or specifications used.

# Trip Edge Wing & Shoe Assembly

52495-M-GA

Trip Edge WING Assembly  
52495-M-GA



Warning

Do not exceed the gross vehicle weight ratings (GAWR), front gross axle weight rating (FGAWR) or rear gross axle weight rating (RGAWR) specified on the Safety Compliance Certification Label located in the driver's side door opening.

Trip Edge Wing Assembly 52495-M-GA

Item	Part	Description	Quantity
1	52509-01-D-GA	Rib Section, Left Side Galvanized (not shown)	1
2	52509-02-D-GA	Rib Section, Right Side Galvanized	1
3	52510-A-GA	Hinge Pin Galvanized	2
4	52505-01-C-GA	Wing, Left Side Galvanized (not shown)	1
5	52505-02-C-GA	Wing, Right Side Galvanized	1
6	52506-A-GA	Brace Mounting Angle Galvanized	2
7	52507-A-GA	Brace Galvanized	2
8	HH-00972-129	Bolt, 5/8" -18 x 1 3/4 HHCS	12
9	HH-00293-006	Bolt, 1/4"-20 x 1 HHCS	2
10	HH-00294-001	Hex Nut, 1/4"-20	2
11	HH-00457-006	Lock washer, 1/4"	2
12	HH-00460-001	Hex Nut, 5/8"-18	12
13	HH-00457-003	Lock washer, 5/8"	12
14	HH-00341-011	Flat washer, 1" Dia	4
15	WA-34704-01	Mounting Pin	2
16	50040-A	Lynch Pin	2
17	52547-M-GA	Wing Shoe Assembly Galvanized	2
17a	52547-B-GA	Wing Shoe Galvanized	2
17b	HH-00340-003	Hug Nut, 1/2" NC	6
17c	HH-00971-136	Carriage bolt, 1/2"-13 x 1 1/2	6
17d	HH-00341-006	Flat washer, 1/2"	6
17e	HH-00340-001	Nut Nylon Insert, 3/8"-16	2
17f	HH-00293-049	Bolt, 3/8" -16 x 1 HHCS	2

---

### Installation Instructions

1. Install rib section (1) (2) on the blade side using three 5/8" bolts (8), lock washers (13) and nuts (12).
2. Bolt brace mounting angle (6) to the side of the rib with two 5/8" bolts (8), lock washers (13) and nuts (12).
3. Using hole in brace mounting angle (6) as a guide drill hole 1 1/32" in poly skin of trip edge.
4. Install wing plate (4) (5) to rib section (1)(2), and slide hinge pin (3) through both sleeves in rib section(1)(2) and wing (4)(5). Handle of the pin (3) should be oriented between rib section (1)(2) and wing plate (4)(5).
6. Insert 1/4" bolt (9), lock washer (11) and nut (10) through the hole on the wing (4)(5) and tighten.
5. Bolt wing shoe (17a) for wing plate (4)(5) using three 1/2" carriage bolts (17c), three flat washers (17d) and three 1/2" nuts (17b). Do not tighten.
6. With blade attached to truck and lowered, adjust desired level of the shoe, that bottom of shoe (17a) is flat on the ground.
7. When shoe (17a) is adjusted, make sure all the bolts and nuts are secured (do not tighten the bolts, as the wing shoe must float).
8. Using 7/16" hole as guide in wing shoe (17a) drill hole 13/32" through wing plate (4)(5), insert and tighten 3/8" bolt (17f) and 3/8" nylon nut (17e).
9. Install brace (7),
  - a) One end is attached to trip edge poly skin through hole 1 1/32" (see step #3) using mounting pin (15), two flat washers (14) and lynch pin (16),
  - b) Second end is attached to wing plate (4)(5) using 5/8" bolt (8), lockwasher (13) and 5/8" nut (12).